



Czujniki magnetyczne do siłowników T-slot

MPS-160TSTU0



Nazwa modelu > **MPS-160TSTU0**

Numer cz ci > **1050740**



At a glance

- Magnetic position sensor for pneumatic and hydraulic cylinders with T-slot
- Output signal: analog, 4 - 20 mA current and 0 -10 V (in one sensor)
- Superior precision: 0.05 mm resolution, 0.1 mm repeatability, 0.3 mm linearity, 1 ms measurement rate
- Electric setting of zero point and end point via teach-in button (optional)
- Various lengths available from 32 - 256 mm

Your benefits

- Maximum flexibility with several different measuring ranges from 32 to 256 mm
- Easy?analog?output?setup:?adjustable?zero?and?end?point?can?be?taught?via?single?button
- Drop-in T-slot mounting from above makes assembly easy
- Selectable?installation?direction?to optimize cabeling
- Efficient?measurement?of?stroke?due?to?minimal?blind?zones, increasing machine throughput
- Simple commissioning due to "in-range" indicator
- Output signal: analog, 4 - 20 mA current and 0 -10 V (in one sensor) reduces inventory cost by part number reduction



Cechy

Sposób przyłączenia:	Przewód, 2 m ¹⁾
Output function:	Analog
Electrical wiring:	DC 4-żyłowy
Teach-in:	✓
Tryb przełączania:	Analog

¹⁾ Do not bend below 0 °C

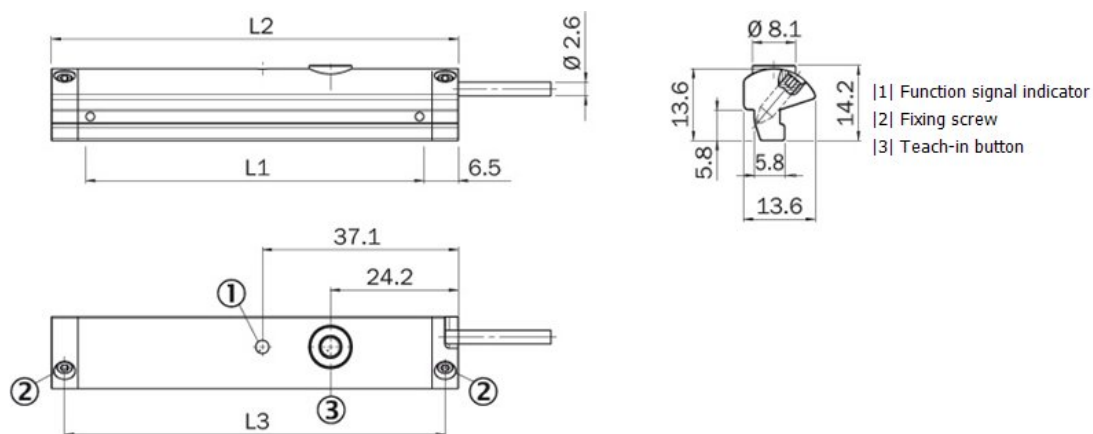
Mechanika/elektronika

Rodzaj zabezpieczenia:	IP 67
Cylinder types:	T-slot
Cylinder types with adapter:	Profile cylinder, Roundbody cylinder, Schwalbenschwanzzylinder, SMC rail cylinder CDQ2 (C-Slot), SMC rail cylinder ECDQ2 (C-Slot), Tie rod cylinder
Housing length:	173 mm
Napięcie zasilania:	15 V DC ... 30 V DC
Kompatybilność elektromagnetyczna::	Zgodna z EN 60947-5-7

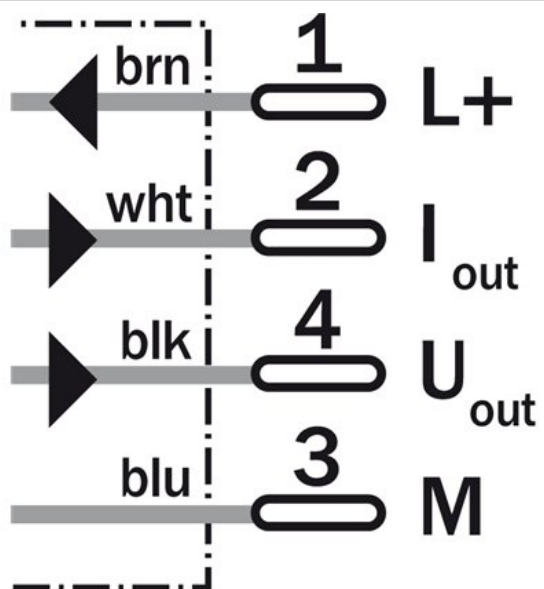
Cable material:	PUR
Zabezpieczenie przed zmianą biegunowości:	✓
Zabezpieczenie przed zwarciami:	✓
Tworzywo, obudowa:	Tworzywo sztuczne
Tworzywo, obudowa:	PA strengthened
Tworzywo, obudowa:	Tworzywo sztuczne
Ambient temperature, operation:	-20 °C ... 70 °C
Shock/vibration stress:	30 g, 11 ms/10 ... 55 Hz, 1 mm
Max. load resistance:	500 Ω ¹⁾
Min. load resistance:	2 kΩ ²⁾
Output voltage:	0 V ... 10 V
Output state-LED:	✓
Linearity typ.:	0,3 mm
Resolution typ.:	0,05 mm
Measuring range ± 1 mm:	160 mm
Dokładność powtarzania:	0,1

1) Power output ²⁾

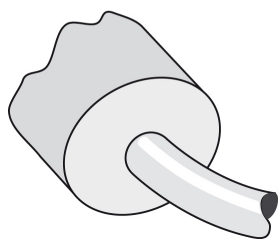
Rysunek techniczny



Schemat połączenia



Typ połączenia



Australia

Phone +61 3 9497 4100
1800 334 802 – tollfree
E-Mail sales@sick.com.au

Belgium/Luxembourg

Phone +32 (0)2 466 55 66
E-Mail info@sick.be

Brasil

Phone +55 11 3215-4900
E-Mail sac@sick.com.br

Canada

Phone +1(952) 941-6780
1 800-325-7425 – tollfree
E-Mail info@sickusa.com

Ceská Republika

Phone +420 2 57 91 18 50
E-Mail sick@sick.cz

China

Phone +852-2763 6966
E-Mail ghk@sick.com.hk

Danmark

Phone +45 45 82 64 00
E-Mail sick@sick.dk

Deutschland

Phone +49 211 5301-301
E-Mail kundenservice@sick.de

España

Phone +34 93 480 31 00
E-Mail info@sick.es

France

Phone +33 1 64 62 35 00
E-Mail info@sick.fr

Great Britain

Phone +44 (0)1727 831121
E-Mail info@sick.co.uk

India

Phone +91-22-4033 8333
E-Mail info@sick-india.com

Israel

Phone +972-4-999-0590
E-Mail info@sick-sensors.com

Italia

Phone +39 02 27 43 41
E-Mail info@sick.it

Japan

Phone +81 (0)3 3358 1341
E-Mail support@sick.jp

Magyarország

Phone +36 1 371 2680
E-Mail office@sick.hu

Nederlands

Phone +31 (0)30 229 25 44
E-Mail info@sick.nl

Norge

Phone +47 67 81 50 00
E-Mail austefjord@sick.no

Österreich

Phone +43 (0)22 36 62 28 8-0
E-Mail office@sick.at

Polska

Phone +48 22 837 40 50
E-Mail info@sick.pl

România

Phone +40 356 171 120
E-Mail office@sick.ro

Russia

Phone +7 495 775 05 30
E-Mail info@sick.ru

Schweiz

Phone +41 41 619 29 39
E-Mail contact@sick.ch

Singapore

Phone +65 6744 3732
E-Mail admin@sicksgp.com.sg

South Africa

Phone +27 11 472 3733
E-Mail info@sickautomation.co.za

South Korea

Phone +82-2 786 6321/4
E-Mail info@sickkorea.net

Slovenija

Phone +386 (0)1-47 69 990
E-Mail office@sick.si

Suomi

Phone +358-9-25 15 800
E-Mail sick@sick.fi

Sverige

Phone +46 10 110 10 00
E-Mail info@sick.se

Taiwan

Phone +886 2 2375-6288
E-Mail sales@sick.com.tw

Türkiye

Phone +90 216 528 50 00
E-Mail info@sick.com.tr

United Arab Emirates

Phone +971 4 8865 878
E-Mail info@sick.ae

USA/México

Phone +1(952) 941-6780
1 800-325-7425 – tollfree
E-Mail info@sickusa.com

More representatives and agencies
at www.sick.com