

Czujniki koloru
CS8

CS84-P3612



Nazwa modelu > **CS84-P3612**

Numer cz ci > **1028227**



At a glance

- One (CS8-1) or four (CS8-4) colors can be saved
- 12.5 mm or 60 mm sensing distance
- Fast response time up to 85 μ s
- High color resolution
- Bar graph display shows the color quality
- Metal housing with two light exits (interchangeable)
- Extremely precise light spot and high resolution

Your benefits

- Identify and store up to four colors. No need to reprogram the sensor for changeovers, reducing downtime.
- High resolution colors can be matched exactly for better process reliability
- Maintains the extreme precision of the light spot, enabling a consistent object detection
- A bar graph display provides information about the color quality and detection reliability, ensuring simple process monitoring.
- Broad spectrum of color tolerances enables more flexible use
- Fast response times at high speeds for reliable detection
- Detection reliability is not affected by varying temperatures



!Features!

Sensing distance:	60 mm (Od przedniej powierzchni soczewki)
Sensing distance tolerance:	± 9 mm
Nadajnik światła:	LED (Average service life 100,000 h at Ta = +25 °C)
Rodzaj światła:	Green, red, Blue
rednica plamki wietlnej:	13 mm x 13 mm
Długo fali:	470 nm, 525 nm, 640 nm
Wymiary (dł. x szer. x wys.):	53 mm x 30,4 mm x 80 mm

!Mechanics/electronics!

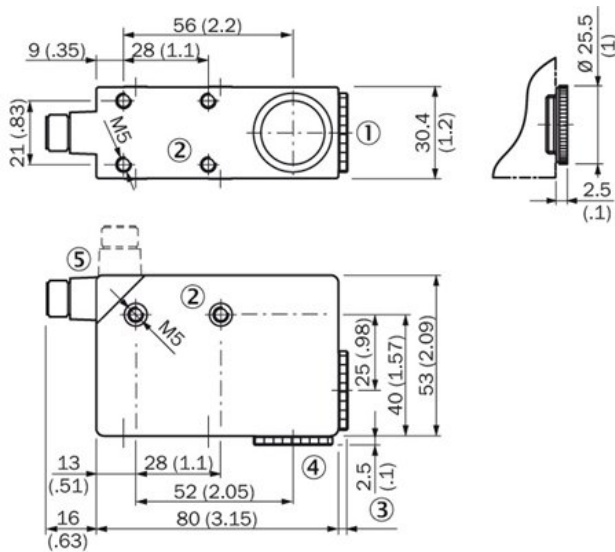
Napięcie zasilania V _S :	DC 10 V ... 30 V
Tolerancje rezystancji:	< 5 V _{SS} (May not exceed or fall short of V _S tolerances)
Pobór prądu:	< 80 mA (Bez obciążenia)
Switching frequency:	adjustable, 0,5 kHz/1 kHz/3,5 kHz (With light/dark ratio 1:1)
Czas reakcji:	1.000 μ s/500 μ s/145 μ s (Signal transit time with resistive load), Adjustable
Switching output voltage:	PNP: HIGH = UV - < 2 V/LOW = 0 V

Switching output:	PNP
Output (Channel):	4 colors
Czas retencji:	25 ms, non-volatile memory
Opó nienie czasowe:	20 ms (optional), adjustable
Connection type:	Złącze M12, 8-pinowe
VDE protection class:	II (Reference voltage 50V DC)
Układ zabezpieczenia:	A (Vs connections reverse-polarity protected) B (Wyjście Q zabezpieczone przed zwarciami) C (Tłumienie interferencji)
Rodzaj zabezpieczenia:	IP 67
Ci ar:	ca. 400 g
Housing material:	Cynkowa, odlewana
Input, teach-in (ET):	PNP: Teach: $U > 10\text{ V} \dots < U_v$ Run: $U < 2\text{ V}$ ($ET > 2\text{ ms}$)
Input, blanking input (AT):	PNP: blanked: $U > 10\text{ V} \dots < U_v$ free-running: $U < 2\text{ V}$ ($AT > 200\text{ }\mu\text{s}$)
Output current I _{max} .:	< 120 mA

!Ambient data!

Ambient temperature:	Operation: -10 ... 55 °C Storage area: -20 ... 75 °C
Shock load:	According to IEC 60068

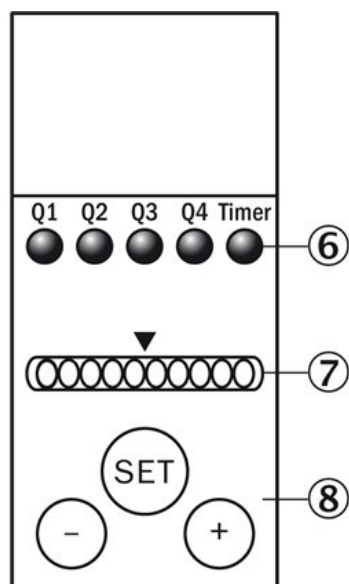
Rysunek techniczny



- [1] Lens (light transmission)
- [2] M5 threaded mounting hole, 5.5 mm deep
- [3] See dimensional drawing for lens
- [4] Blind screw can be replaced by lens
- [5] 5-pin, M12 x 1 plug (rotatable through 90°) or 8-pin, M1

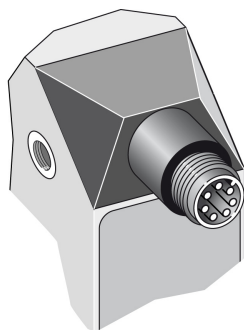
All dimensions in mm (inch)

Adjustments



- |6| Function signal indicators (yellow)
- |7| Bar graph (green), Power on left LED
- |8| Teach-in button / "+" and "-" button

Typ poź czenia



Schemat poź czenia



Australia

Phone +61 3 9497 4100
1800 33 48 02 – tollfree
E-Mail sales@sick.com.au

Belgium/Luxembourg

Phone +32 (0)2 466 55 66
E-Mail info@sick.be

Brasil

Phone +55 11 3215-4900
E-Mail sac@sick.com.br

Ceská Republika

Phone +420 2 57 91 18 50
E-Mail sick@sick.cz

China

Phone +852-2763 6966
E-Mail ghk@sick.com.hk

Danmark

Phone +45 45 82 64 00
E-Mail sick@sick.dk

Deutschland

Phone +49 211 5301-301
E-Mail kundenservice@sick.de

España

Phone +34 93 480 31 00
E-Mail info@sick.es

France

Phone +33 1 64 62 35 00
E-Mail info@sick.fr

Great Britain

Phone +44 (0)1727 831121
E-Mail info@sick.co.uk

India

Phone +91-22-4033 8333
E-Mail info@sick-india.com

Israel

Phone +972-4-999-0590
E-Mail info@sick-sensors.com

Italia

Phone +39 02 27 43 41
E-Mail info@sick.it

Japan

Phone +81 (0)3 3358 1341
E-Mail support@sick.jp

Nederlands

Phone +31 (0)30 229 25 44
E-Mail info@sick.nl

Norge

Phone +47 67 81 50 00
E-Mail austefjord@sick.no

Österreich

Phone +43 (0)22 36 62 28 8-0
E-Mail office@sick.at

Polska

Phone +48 22 837 40 50
E-Mail info@sick.pl

Republic of Korea

Phone +82-2 786 6321/4
E-Mail info@sickkorea.net

Republika Slovenija

Phone +386 (0)1-47 69 990
E-Mail office@sick.si

România

Phone +40 356 171 120
E-Mail office@sick.ro

Russia

Phone +7 495 775 05 34
E-Mail info@sick-automation.ru

Schweiz

Phone +41 41 619 29 39
E-Mail contact@sick.ch

Singapore

Phone +65 6744 3732
E-Mail admin@sicksgp.com.sg

Suomi

Phone +358-9-25 15 800
E-Mail sick@sick.fi

Sverige

Phone +46 10 110 10 00
E-Mail info@sick.se

Taiwan

Phone +886 2 2375-6288
E-Mail sales@sick.com.tw

Türkiye

Phone +90 216 587 74 00
E-Mail info@sick.com.tr

United Arab Emirates

Phone +971 4 8865 878
E-Mail info@sick.ae

USA/Canada/México

Phone +1(952) 941-6780
1 800-325-7425 – tollfree
E-Mail info@sickusa.com

More representatives and agencies
in all major industrial nations at
www.sick.com