



Czujniki ciśnienia
Pressure switch

PAC50-ACD



Nazwa modelu > **PAC50-ACD**

Numer części > **1062954**



Produkt może różnić się od ilustracji

At a glance

- Electronic pressure switch for pneumatic applications
- Large display shows system pressure, output states and set switching points
- Three large function keys and intuitive menu navigation
- Measuring range for gauge pressure (vacuum and overpressure)
- Individually programmable switching outputs and optional analog output
- Installation on a mounting rail, wall or in a control panel

Your benefits

- Bi-color display (green/red) clearly shows the output state to recognize whether the pressure is within the target range
- Quick overview of important system parameters due to advanced display functions
- Intuitive operation allows simple and quick commissioning
- Pressure connections on the back and bottom, various mounting options and configurable output signals provide installation flexibility
- High reliability due to the rugged design (IP 65/IP 67 enclosure rating) and proven technology
- Low storage costs since a few product variants are able to meet a broad range of application requirements
- Reduced downtime when changing the format or replacing the sensor thanks to IO-Link



Cechy

Pressure type:	Gauge pressure
Measuring range:	-1 bar ... 0 bar
Process temperature:	0 °C ... +60 °C
Display:	Update: 1,000, 500, 200, 100 ms (adjustable), Pressure display: 4 digits, 16 segments, Pressure unit in display can be switched: bar, MPa, kPa, psi and inHg, LCD with LED backlight (green/red), can be rotated electronically by 180°
Output signal:	IO-Link/PNP + PNP/NPN/Push-Pull
Initialization time:	300 ms
Zero point adjustment:	Max. + 5 % of span
Medium:	Dry compressed air
Analog signal output and ohmic load RA:	Load resistance for voltage output > 3 kOhm, Load resistance for current output < 600 Ohm, Optional, 4 mA ... 20 mA/0 V... 10 V. Automatic detection depending on connected load or programmable. Output signals can be inverted: 20 mA ... 4 mA/10 V ... 0 V
Diagnostics output:	Switching output 2 can be set as diagnostics output

Wydajno

Accuracy:	$\leq \pm 1,5$ % of span (Including non-linearity, hysteresis, zero point and full scale error (corresponds to error of measurement according to IEC 61298-2))
Non-linearity:	$\leq \pm 0,5$ % ((Best Fit Straight Line, BFSL) according to IEC 61298-2)
Setting accuracy of switching outputs:	$\leq \pm 0.2$ % of span
Rated temperature range:	+10 °C ... +60 °C
Non-repeatability:	$\leq \pm 0,2$ % of span

Mechanika/elektronika

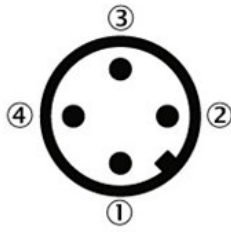
Process connection:	PIF 4 mm + G $\frac{1}{4}$ ¹⁾
Housing material:	Seals: NBR, Housing: polycarbonate, DIN rail mounting: POM, Buttons: TPE
Rodzaj zabezpieczenia:	IP 65/IP 67 According to IEC 60529 ²⁾
Pobór prądu:	Max. 40 mA at L+ = 24 VDC
Electrical safety:	Short-circuit protection: QA, Q1, Q2 towards M and L+, Protection class: III, Overvoltage protection: 32 V DC, Reverse polarity protection: L+ towards M
Protection class III:	✓
Weight sensor:	Ca. 40 g
CE-conformity:	EMC directive: 2004/108/EC, EN 61326-2-3
RoHS certificate:	✓
CULus certificate:	-
CRUus-Zertifikat:	✓

¹⁾ Bottom side: push-in fitting for 4 mm pneumatic hose, back side: thread G $\frac{1}{4}$ female according to DIN ISO 16030 ²⁾ When plugged in with a suitable mating connector

Dane otoczenia

Temperatura składowania:	-20 °C ... +80 °C
Ambient temperature:	0 °C ... +60 °C
Obciążenie uderzeniowe:	Max. 30 g, xyz according to IEC 60068-2-27 (11 ms, mechanical shock)
Odporność na drgania:	Max. 5 g (10 ... 150 Hz), xyz, according to DIN EN 60068-2-6
Relative humidity:	≤ 90 %

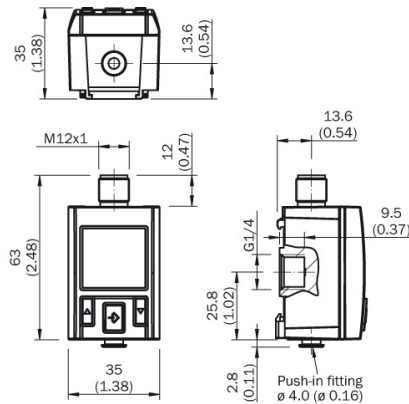
Connection type



- [1] L+: Positive supply connection
- [2] M: Negative supply connection
- [3] Q1: Switching output 1
- [4] C/Q1: With IO-Link: Communication/ switching output 1
- [5] Q2: Switching output 2
- [6] QA: Analog output

Output signals	Type code	Electrical connection	Pin assignment
2 x digital	PAC50-xxA	M12 x 1, 4 pins	L+ = 1, M = 3, Q1 = 4, Q2 = 2
1 x digital + analog	PAC50-xxB	M12 x 1, 4 pins	L+ = 1, M = 3, Q1 = 4, QA = 2
1 x IO-Link/digital + analog	PAC50-xxD	M12 x 1, 4 pins	L+ = 1, M = 3, C/Q1 = 4, Q2 = 2

Rysunek techniczny



Australia

Phone +61 3 9457 0600
1800 33 48 02 – tollfree
E-Mail sales@sick.com.au

Belgium/Luxembourg

Phone +32 (0)2 466 55 66
E-Mail info@sick.be

Brasil

Phone +55 11 3215-4900
E-Mail marketing@sick.com.br

Canada

Phone +1 905 771 14 44
E-Mail information@sick.com

Česká republika

Phone +420 2 57 91 18 50
E-Mail sick@sick.cz

China

Phone +86 4000 121 000
E-Mail info.china@sick.net.cn
Phone +852-2153 6300
E-Mail ghk@sick.com.hk

Danmark

Phone +45 45 82 64 00
E-Mail sick@sick.dk

Deutschland

Phone +49 211 5301-301
E-Mail info@sick.de

España

Phone +34 93 480 31 00
E-Mail info@sick.es

France

Phone +33 1 64 62 35 00
E-Mail info@sick.fr

Great Britain

Phone +44 (0)1727 831121
E-Mail info@sick.co.uk

India

Phone +91-22-4033 8333
E-Mail info@sick-india.com

Israel

Phone +972-4-6881000
E-Mail info@sick-sensors.com

Italia

Phone +39 02 27 43 41
E-Mail info@sick.it

Japan

Phone +81 (0)3 5309 2112
E-Mail support@sick.jp

Magyarország

Phone +36 1 371 2680
E-Mail office@sick.hu

Nederland

Phone +31 (0)30 229 25 44
E-Mail info@sick.nl

Norge

Phone +47 67 81 50 00
E-Mail sick@sick.no

Österreich

Phone +43 (0)22 36 62 28 8-0
E-Mail office@sick.at

Polska

Phone +48 22 837 40 50
E-Mail info@sick.pl

România

Phone +40 356 171 120
E-Mail office@sick.ro

Russia

Phone +7-495-775-05-30
E-Mail info@sick.ru

Schweiz

Phone +41 41 619 29 39
E-Mail contact@sick.ch

Singapore

Phone +65 6744 3732
E-Mail sales.gsg@sick.com

Slovenija

Phone +386 (0)1-47 69 990
E-Mail office@sick.si

South Africa

Phone +27 11 472 3733
E-Mail info@sickautomation.co.za

South Korea

Phone +82 2 786 6321/4
E-Mail info@sickkorea.net

Suomi

Phone +358-9-25 15 800
E-Mail sick@sick.fi

Sverige

Phone +46 10 110 10 00
E-Mail info@sick.se

Taiwan

Phone +886 2 2375-6288
E-Mail sales@sick.com.tw

Türkiye

Phone +90 (216) 528 50 00
E-Mail info@sick.com.tr

United Arab Emirates

Phone +971 (0) 4 88 65 878
E-Mail info@sick.ae

USA/México

Phone +1(952) 941-6780
1 (800) 325-7425 – tollfree
E-Mail info@sickusa.com

More representatives and agencies
at www.sick.com